

# GN1100

## NEAR-BOILING FILTERED WATER TAP

The InSinkEerator GN1100 Instant Hot Water Tap dispenses near boiling filtered hot water from an easily installed under-sink hot water tank.

The unit produces the perfect temperature for making hot drinks, speeding up the preparation of pasta or vegetables, cleaning dishes and a host of other kitchen tasks.

### FEATURES & SPECIFICATIONS

- Near boiling filtered hot water instantly.
- Up to 100 cups of steaming hot water per hour.
- Safe, filtered hot water.
- Elegant swiveling spout.
- Tap insulated from heat.
- Tap available in Chrome, Brushed Steel and Matte Black.
- Gentle touch, lever dispenser, with safety mechanism.
- Tap mounted on either the kitchen work surface or sink. (35mm-38mm drilled hole required in the bench-top)
- Reduces chlorine, lead, and other unpleasant tastes, chemicals and odours from the water.
- Easy to install 2.5 litre stainless steel tank fitted under sink.
- Plugs directly into 240v electrical socket close to appliance.
- Adjustable temperature display on tank.
- Shut-off valve in filter head automatically stops water flow.
- Required supply pressure: 172-862 kPa (1.7-8.6 bar) (25-125 psi)
- Easy to replace filter.
- In-Home Parts and Service Warranty
  - Tank - 2 Year Warranty
  - Filtration System - 1 Year Warranty (excluding replacement filter cartridge)



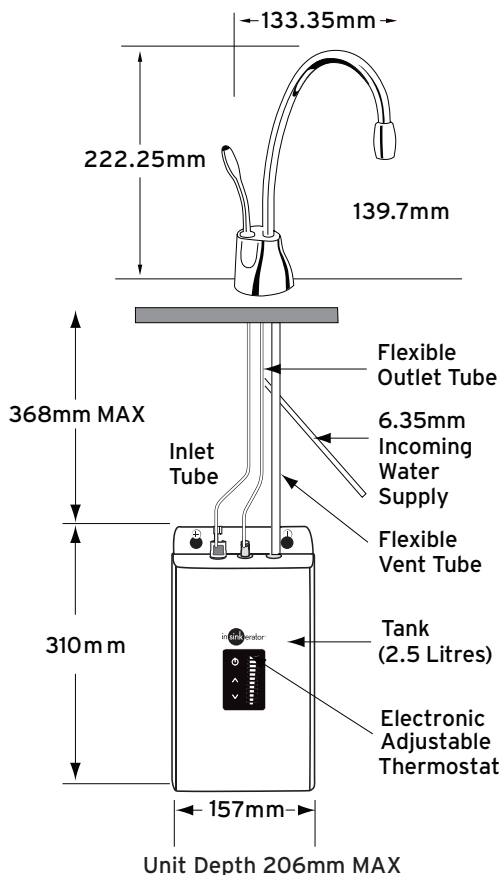
### TAP FINISHES

CHROME

BRUSHED STEEL

MATTE BLACK

### TECHNICAL DIAGRAM & DIMENSIONS



EASY TO INSTALL  
UNDER SINK TANK  
& WATER FILTER

[insinkerator.co.nz](http://insinkerator.co.nz)

For more information contact Parex Industries Limited  
on Tel: 0800 200 510 or email: [info.parex@emerson.com](mailto:info.parex@emerson.com)

InSinkEerator reserves the right to change product specifications without prior notice.

in sink erator®  
**hottap**™