



## The under-bench NeoChiller™ serves filtered chilled drinking water.

NeoChiller® is a compact chiller unit that fits neatly beneath your benchtop. It filters water from the mains supply through the InSinkErator easy-change water filter, removing impurities to ensure a fresh, pure taste. The chiller unit then chills the water to the perfect drinking temperature, straight from the tap.

- Small, compact domestic chiller unit
- Designed for easy installation under the kitchen sink
- Dispenses up to 7 litres per hour of cold, still water between 3°C and 10°C
- Filtered to remove impurities and odours, without affecting the water's natural mineral content
- CE approved
- Ice-bank cooling technology for optimum performance

Please note these products are for domestic use only and the warranty is void if installed in a commercial application.

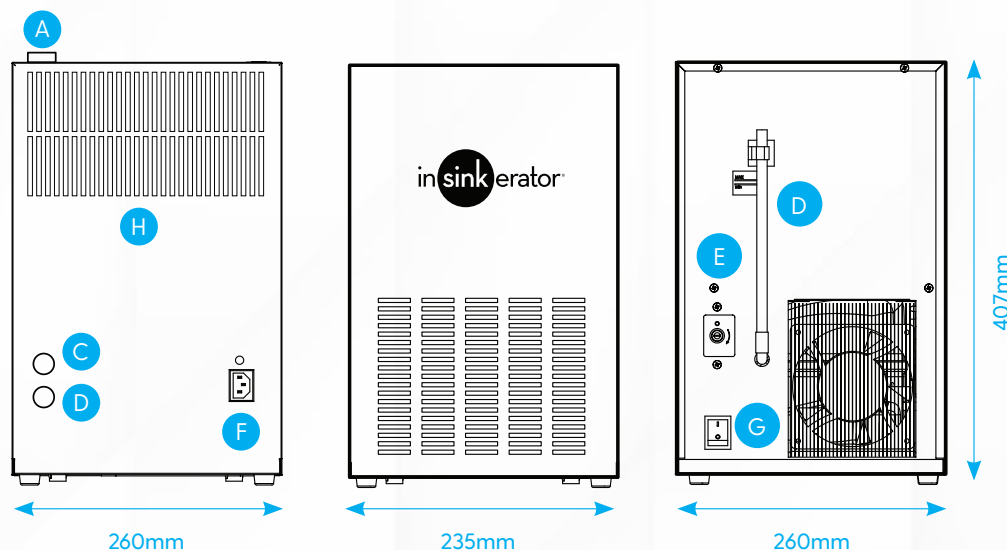
 ITALIAN TAPWARE



# NeoChiller® Specifications

# NeoChiller™

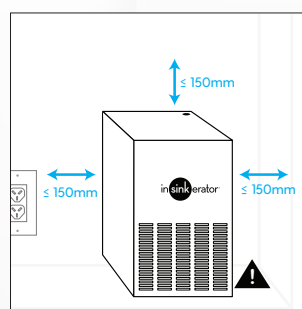
## Dimensions



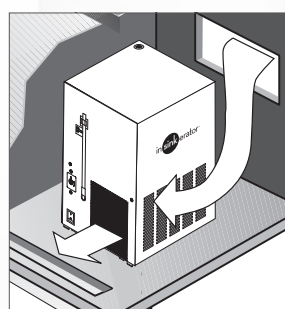
## Unit overview

- A. Cold water outlet
- B. Cold water inlet
- C. Ice bank fill
- D. Level pipe of ice bank
- E. Thermostat
- F. IEC connector for power cord
- G. On/off switch
- H. Fan grilles

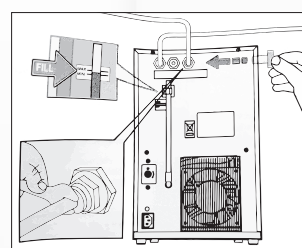
## Placement guide



Placement guide with minimum clearances for NeoChiller installation.

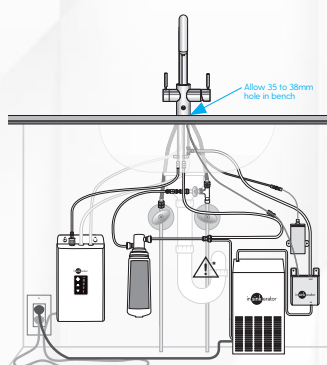


It is recommended to have cabinetry vented to create adequate air-flow.



### IMPORTANT NOTICE

Remove red pug from ICE BANK FILL port (C). Connect plastic tube to this port on the other end to the Y fitting (smaller side). Turn on water supply and fill ice bank use fill marking. When full remove plastic tube from chiller and insert plug.



## Specifications

Model CWT150	Rated input 155W
Cooling performance	7L/hr 3L continuously
Dispensed cold water temperature	3-10°C with 20°C incoming water and 25°C room temperature
Dispensing	40 sec/L
Condensation	Ventilated blowing
Thermostat	Mechanical
Compressor	1/12HP
Ice bank	2L capacity, 1kg of ice
Inlets/outlets	Water inlet Ø6.35mm (or 1/4"), water outlets Ø6.35mm (or 1/4")
Filter	Not included.



The maximum pressure of water entering the NeoChiller must not be more than 3 Bar/43.5psi.

For more information contact Parex Industries Limited  
on Tel: 0800 200 510 or email: [info.parex@whirlpool.com](mailto:info.parex@whirlpool.com)

InSinkErator® may make improvements and/or changes in the specifications at any time, in its sole discretion, without notice or obligation and further reserves the right to change or discontinue models. © 2020 InSinkErator®, InSinkErator® is a business unit of Emerson Electric Co. All Rights Reserved.