



## POWER SERIES

# Premium 700 SR



### Benefits

This model offers the following benefits:

- Food waste is ground into particles and flushed away
- A convenient solution to food waste in the home
- Lift & Latch Technology makes it easy to install into new or existing kitchens and can be fitted to most sinks
- By using your disposal regularly, you can help divert food waste from landfills and reduce greenhouse gas emissions.

### Features

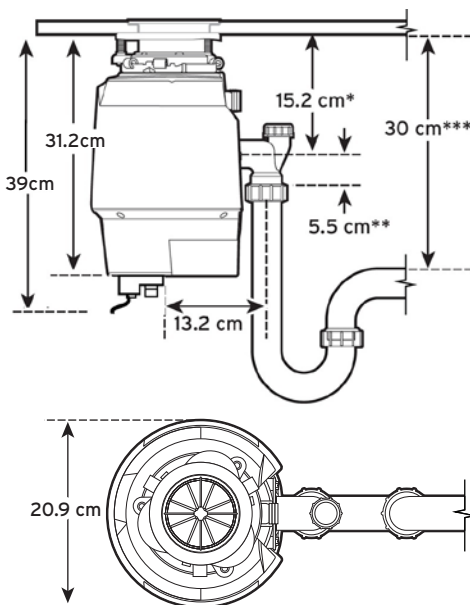
This model offers the following features:

- **0.75 HP induction motor** provides maximum grinding power and durability
- **Quiet SoundSeal Technology**
- **Power Grind** for tough food scraps like peach pits
- **2-Stage MultiGrind Technology.** Finest grind (Compared to 1-Stage MultiGrind Technology)
- **Removable Quiet Collar Baffle**
- **Chrome finish Air Switch included.**

### Specifications

Type of Feed	Continuous
On/Off Control	Air Switch
Motor	Single Phase
Motor HP	0.75
Volts	220-240
HZ	50-60
Motor Power, W	560 W
Time Rating	Intermittent
Lubrication	Permanently Lubricated Upper & Lower Bearings
Shipping Weight (Approx.)	8.12 kg
Overall Height	31.2 cm
Motor Protection	Automatic Reset
Drain Connection	3.8 cm Cushioned Slip Joint
Dishwasher Drain Connection	No
Grind Technology	2-Stage MultiGrind Technology
Plug	10 amp plug
Grind Chamber Capacity	980 ml

### Dimensions



\*Distance from bottom of sink to centre line of disposer outlet. Add 12.7 mm when stainless steel sinks are used.

\*\*Length of tailpipe from centre line of disposer outlet to end of tailpipe.

\*\*\*Distance between bottom of sink bowl to the waste pipe to be minimum of 30 cm.

### Warranty

4-Year In-home Warranty

### Parex Product Code

MODEL700SR



[insinkerator.co.nz](http://insinkerator.co.nz)

For more information contact Parex Industries Limited on Tel: 0800 200 510 or email: [info.parex@whirlpool.com](mailto:info.parex@whirlpool.com)

InSinkErator reserves the right to change product specifications without prior notice. The disposer described in this leaflet is for household use; usage in commercial situations is not covered by warranty.

© All rights reserved.