

A water cooler, kettle & mixer tap in one .

 ITALIAN TAPWARE

Multi Function Mixer Tap System

in  erator
multitapTM
chilled ❄️



DRINK



COOK



CLEAN



ONE TAP - MULTI FUNCTIONS

A water cooler, kettle & mixer tap in one. It's the solution your crowded bench-top has been waiting for. Now chilled filtered drinking water, filtered boiling water, plus standard hot and cold water are all available from a single multi-functional tap.



 ITALIAN TAPWARE



UNDER-BENCH TECHNOLOGY



The 'plug-in'
NeoTank™ delivers
filtered near-boiling
water instantly

The compact unit that filters water and delivers instantaneous boiling (98°C) water for hot drinks and cooking simply tucks away under your bench. Installation is easy, proven and suitable for any domestic kitchen with mains pressure.

in sink erator
NeoTank™



The under-bench
NeoChiller™ serves
filtered chilled
drinking water

NeoChiller® is a compact chiller unit that fits neatly beneath your benchtop. It filters water from the mains supply through the InSinkEerator easy-change water filter, removing impurities to ensure a fresh, pure taste. The chiller unit then chills the water to the perfect drinking temperature, straight from the tap.

in sink erator
NeoChiller™



3 MODELS TO CHOOSE FROM

The MultiTap Chilled comes in three contemporary Italian designs, with three finishes - Chrome, Brushed and Black. Not only are the taps designed in Italy, they are also made by world renowned tap innovators Guglielmi and come with a 5-year in-home warranty - residential only.



 ITALIAN TAPWARE

GUGLIELMI

MADE IN ITALY



Chrome finish

Lia chilled*



Brushed finish

Uso chilled*



Black finish

Juno chilled*



Lia chilled ❄️

Multi Function Mixer Tap System

The Lia comes in 3 finishes - Chrome, Brushed and Black, delivering filtered chilled, filtered boiling and standard hot & cold water all from one tap. The MultiTap Chilled System has the power to transform the way your kitchen functions.



 ITALIAN TAPWARE



Chrome Finish
Product Code: CHLIA-CH



Brushed Finish
Product Code: CHLIA-BR



Black Finish
Product Code: CHLIA-JB

- Filtered chilled water from push button
- Filtered boiling (98°C) water
- Standard hot and cold water lever
- Easy to replace existing kitchen mixer
- Made from high quality DZR Brass
- Tap designed and made in Italy
- Safety lever on near boiling tap
- Requires mains water pressure
- Complete installation kit supplied
- 5-year in-home warranty - Residential only
- WaterMark certified
- WELS certified



NeoChiller, NeoTank, Filter & full installation kit included.



WARNING:
While the MultiTap has a safety lever, please be careful when dispensing boiling water and children should be kept away.



Uso chilled ❄️

Multi Function Mixer Tap System

The Uso comes in 3 finishes - Chrome, Brushed and Black, delivering filtered chilled, filtered boiling and standard hot & cold water all from one tap. The MultiTap Chilled System has the power to transform the way your kitchen functions.



 ITALIAN TAPWARE



Chrome Finish
Product Code: CHUSO-CH



Brushed Finish
Product Code: CHUSO-BR



Black Finish
Product Code: CHUSO-JB

- Filtered chilled water from push button
- Filtered boiling (98°C) water
- Standard hot and cold water lever
- Easy to replace existing kitchen mixer
- Made from high quality DZR Brass
- Tap designed and made in Italy
- Safety lever on near boiling tap
- Requires mains water pressure
- Complete installation kit supplied
- 5-year in-home warranty - Residential only
- WaterMark certified
- WELS certified



NeoChiller, NeoTank, Filter & full installation kit included.



WARNING:
While the MultiTap has a safety lever, please be careful when dispensing boiling water and children should be kept away.



Juno

chilled ❄️

Multi Function Mixer Tap System

The Juno comes in 3 finishes - Chrome, Brushed and Black, delivering filtered chilled, filtered boiling and standard hot & cold water all from one tap. The MultiTap Chilled System has the power to transform the way your kitchen functions.



 ITALIAN TAPWARE



Chrome Finish
Product Code: CHJUNO-CH



Brushed Finish
Product Code: CHJUNO-BR



Black Finish
Product Code: CHJUNO-JB

- Filtered chilled water from push button
- Filtered boiling (98°C) water
- Standard hot and cold water lever
- Easy to replace existing kitchen mixer
- Made from high quality DZR Brass
- Tap designed and made in Italy
- Safety lever on near boiling tap
- Requires mains water pressure
- Complete installation kit supplied
- 5-year in-home warranty
- Residential only
- WaterMark certified
- WELS certified



WARNING:
While the MultiTap has a safety lever, please be careful when dispensing boiling water and children should be kept away.

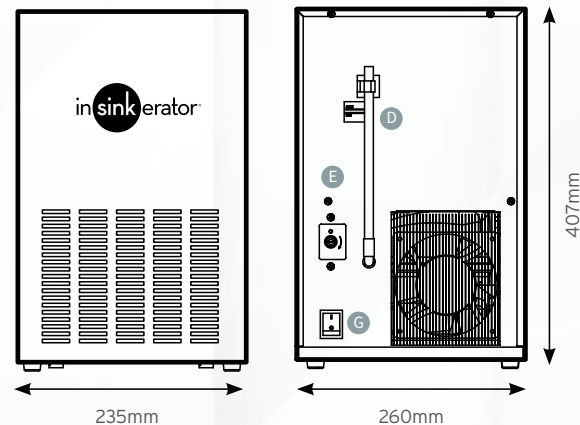


NeoChiller, NeoTank, Filter & full installation kit included.

COMPACT UNDER-BENCH CHILLER FOR COLD FILTERED DRINKING WATER

NeoChiller is a compact chiller unit that fits neatly beneath your benchtop and connects to the tap. It filters water from the mains supply through the InSinkErator easy-change water filter, removing impurities to ensure a fresh, pure taste. The chiller unit then cools the water to the perfect drinking temperature, straight from the tap. With NeoChiller there's no messing around with filter jugs, no lugging bottles of water home from the shops and no plastic waste.

- Small, compact domestic chiller unit
- Designed for easy installation under the kitchen sink
- Dispenses up to 7 litres per hour of cold, still water between 3°C and 10°C
- Filtered to remove impurities and odours, without affecting the water's natural mineral content
- Ice-bank cooling technology for optimum performance
- Standard 3-pin plug that plugs straight into a wall socket.
- CE approved



in sink erator™
NeoChiller™

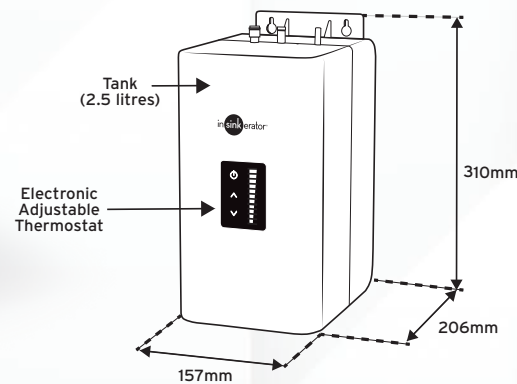
PLUG-IN CONVENIENCE

FOR INSTANT NEAR-BOILING WATER

The compact and innovative NeoTank delivers boiling water for hot drinks and slashes your cooking times with steaming hot water for vegetable and pasta preparation. This ingenious unit also comes with an optional connector that allows you to filter your cold water as well, giving you great tasting filtered water.



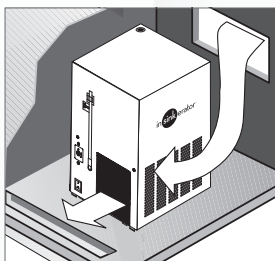
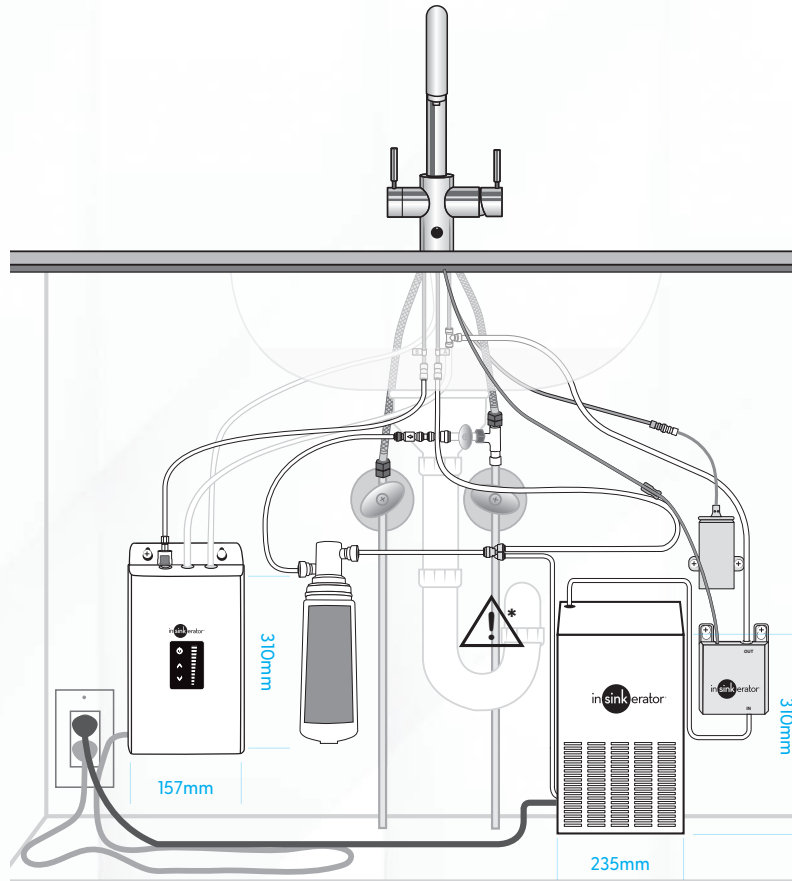
- NeoTank is only about the size of a toaster, making it easy to hang on the back wall under your kitchen bench with minimum fuss.
- The 2.5 litre capacity is easily sufficient for most kitchen tasks while reducing the heating requirements and saving energy costs.
- Finger-tip control with a touch panel display for precise temperature adjustment (89°C-98°C).
- Able to run on a standard electrical circuit drawing 5.6AMPs with an element size of 1.3KW.
- Quiet, energy-efficient operation.
- Easy installation with tool-free connections and dry-start protection.
- Standard 3-pin plug that plugs straight into a wall socket.



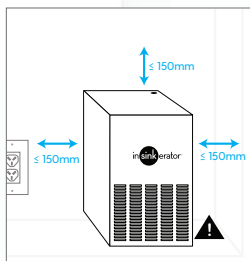
in sink erator®

NeoTank™

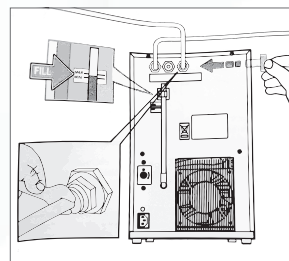
SPECIFICATIONS



It is recommended to have your cabinetry vented to create adequate air-flow for the NeoChiller to work to its optimum.



Placement guide with minimum clearances for NeoChiller installation.



IMPORTANT NOTICE: Remove red plug from ICE BANK FILL port (C). Connect plastic tube to this port on the other end to the Y fitting (smaller side). Turn on water supply and fill ice bank use fill marking. When full remove plastic tube from chiller and insert plug.

For full specifications and installation go to multitap.co.nz

Lia chilled*



Product Code: CHLIA-CH
Finish: CHROME

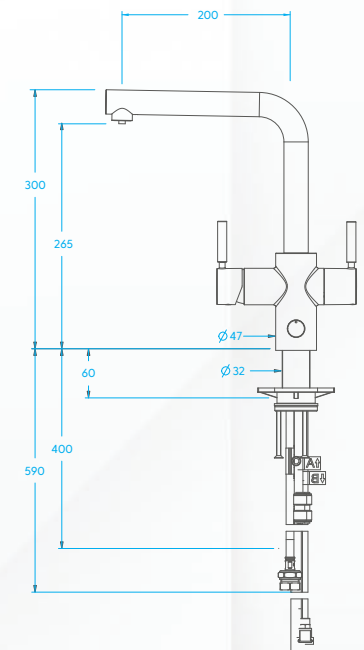
Product Code: CHLIA-BR
Finish: BRUSHED

Product Code: CHLIA-JB
Finish: BLACK

- Allow 35 to 38mm hole in bench
- Allow 60mm from back of bench/wall
- Please note these products are for domestic use only and the warranty is void if installed in a commercial application.



WARNING: While the MultiTap has a safety lever, please be careful when dispensing boiling water and children should be kept away.



Uso chilled*



Product Code: CHUSO-CH
Finish: CHROME

Product Code: CHUSO-BR
Finish: BRUSHED

Product Code: CHUSO-JB
Finish: BLACK

Juno chilled*



Product Code: CHJUNO-CH
Finish: CHROME

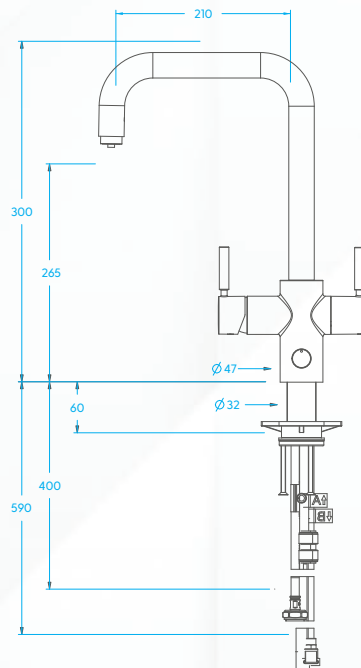
Product Code: CHJUNO-BR
Finish: BRUSHED

Product Code: CHJUNO-JB
Finish: BLACK

- Allow 35 to 38mm hole in bench
- Allow 60mm from back of bench/wall
- Please note these products are for domestic use only and the warranty is void if installed in a commercial application.



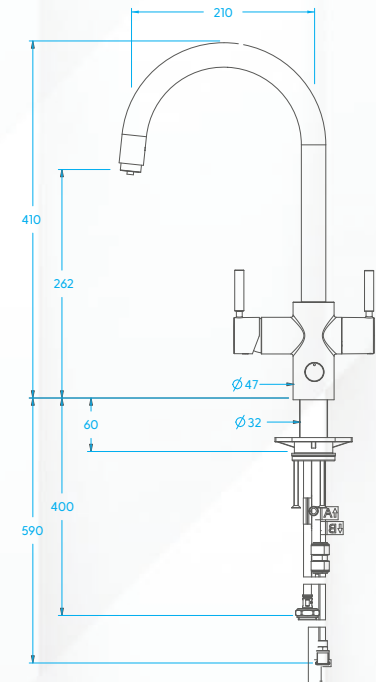
WARNING:
While the MultiTap has a safety lever, please be careful when dispensing boiling water and children should be kept away.



- Allow 35 to 38mm hole in bench
- Allow 60mm from back of bench/wall
- Please note these products are for domestic use only and the warranty is void if installed in a commercial application.



WARNING:
While the MultiTap has a safety lever, please be careful when dispensing boiling water and children should be kept away.





multitap.co.nz

For service and installation, call 0800 200 510 or visit www.insinkerator.co.nz

in sink erator
multitapTM
chilled ❄️