

A kettle and water cooler in one.



in sink erator[®]
dualtap[™]
Hot & Chilled Water Taps

in sink erator[®]
dualtap[™]

The perfect side tap,
delivering filtered boiling
& chilled drinking water.

The DualTap is the ultimate kitchen side tap. Delivering both filtered boiling and filtered chilled drinking water, it's perfect for entertaining or just grabbing a quick cuppa or a refreshing glass of chilled water.

The filtered boiling hot water comes from the NeoTank[®], an easily installed under sink hot water tank, which plugs straight into a normal wall socket.

The chilled filtered water comes from the NeoChiller[®], a compact filter and chiller unit that fits neatly beneath your bench.



Filtered **Boiling**
Water Lever



Filtered **Chilled**
Water Lever



NeoTank[®] under-bench hot water tank



NeoChiller[®] under-bench
chilled water tank

Filtered boiling water from Neotank®

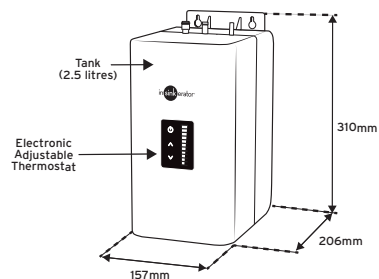


Digital touch screen easy temperature control from 89°C to 98°C with precise temperature control to +/- 1.0° F

Heating element for rapid recovery able to run on a standard electrical circuit

The compact and innovative NeoTank® delivers filtered near boiling water for hot drinks and slashes your cooking times with boiling water for vegetables and pasta dishes. This ingenious unit also comes with an optional connector that allows you to filter your cold water as well, giving you great tasting filtered water straight from your tap.

- NeoTank® is only about the size of a toaster, making it easy to install on the back wall under your kitchen bench with minimum fuss.
- The 2.5-litre capacity is easily sufficient for most kitchen tasks.
- Reduces the cost of heating water, saving you energy costs.
- Finger-tip control with a touch panel display for precise temperature adjustment (89°C-98°C).
- Able to run on a standard electrical circuit drawing 5.6AMPs with an element size of 1.3KW.
- Quiet, energy-efficient operation.
- Easy installation with tool-free connections and dry-start protection.
- 3-year in-home limited warranty.



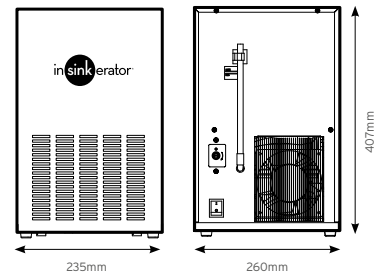
in sink erator®
NeoTank®

Compact under-bench chiller for cold filtered drinking water



NeoChiller® is a compact filter and chiller unit that fits neatly beneath your worktop and connects to several of our taps. It filters water from the mains supply, removing impurities to ensure a fresh, pure taste. And it cools the water to the perfect drinking temperature, straight from the tap. With NeoChiller® there's no messing around with filter jugs, no lugging bottles of water home from the shops and no plastic waste.

- Small, compact domestic chiller unit
- Designed for easy installation under the kitchen sink
- Dispenses up to 7 litres per hour of cold, still water between 3°C and 10°C
- Filtered to remove impurities and odours, without affecting the water's natural mineral content
- Ice-bank cooling technology for optimum performance
- Standard 3-pin plug that plugs straight into a wall socket.
- CE approved



in sinkerator
NeoChiller®

DT3010 DualTap

Boiling + chilled filtered water tap



- Instant filtered boiling (98°) and filtered chilled water.
- Gentle touch, two lever dispenser
- Spring loaded return safety mechanism
- Elegant swivelling spout. Tap insulated from heat.
- Tap mounted on either the kitchen work surface or sink. (35mm-38mm hole required in bench)
- Reduce chlorine, lead, and other unpleasant tastes, chemicals and odours from the water.
- Easy to install 2.5 litre stainless steel NeoTank.
- Easy to install 5 litre NeoChiller
- Both tanks plug directly into electrical sockets close to appliance.
- 3-Year Warranty.

DT3010 DualTap - Finishes



DT3010 - Chrome
Product Code: DT3010-CH



DT3010 - Black
Product Code: DT3010-MBLK



DT3010 - Brushed
Product Code: DT3010-BR



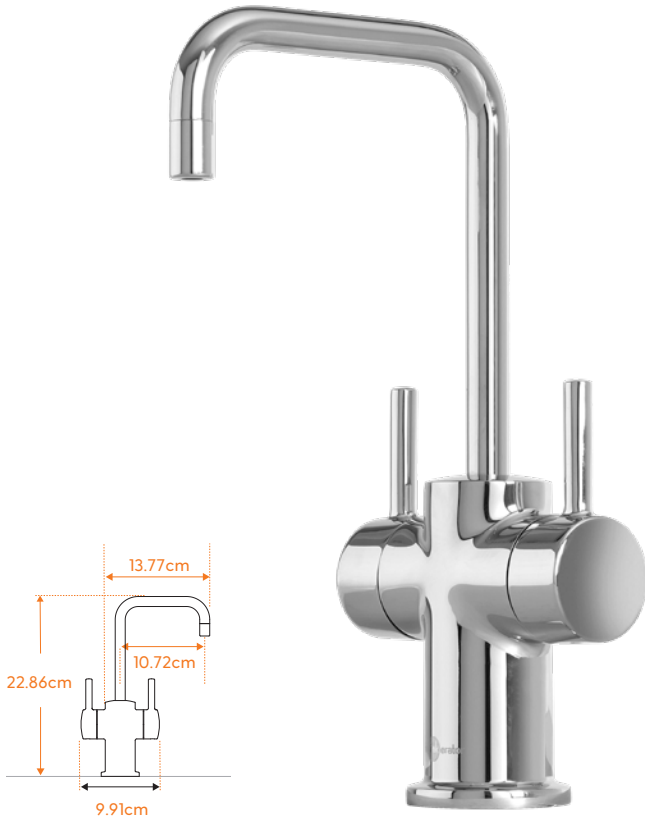
NeoTank®, NeoChiller®, filter and full installation kit included.



WARNING:
While the DualTap has a safety lever, please be careful when dispensing boiling water and children should be kept away.

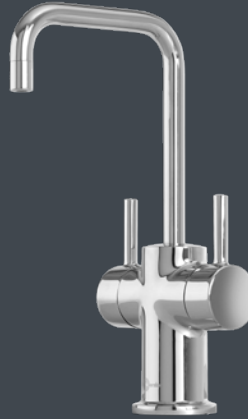
DT3020 DualTap

Boiling + chilled filtered water tap



- Instant filtered boiling (98°) and filtered chilled water.
- Gentle touch, two lever dispenser
- Spring loaded return safety mechanism
- Elegant swivelling spout. Tap insulated from heat.
- Tap mounted on either the kitchen work surface or sink. (35mm-38mm hole required in bench)
- Reduce chlorine, lead, and other unpleasant tastes, chemicals and odours from the water.
- Easy to install 2.5 litre stainless steel NeoTank.
- Easy to install 5 litre NeoChiller
- Both tanks plug directly into electrical sockets close to appliance.
- 3-Year Warranty.

DT3020 DualTap - Finishes



DT3020 - Chrome
Product Code: DT3020-CH



DT3020 - Black
Product Code: DT3020-MBLK



DT3020 - Brushed
Product Code: DT3020-BR



NeoTank®, NeoChiller®, filter
and full installation kit included.

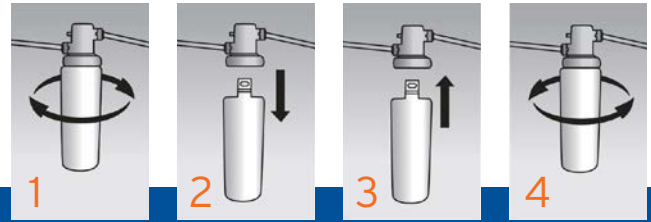


WARNING:
While the DualTap has a safety lever, please be careful when dispensing boiling water and children should be kept away.

Filtered water... just tastes better!

All InSinkErator DualTaps come with an in-line filtration system using replaceable cartridges. The super fine 5-micron filters reduce impurities and odours, giving you better tasting water for your water bottle, coffee or tea.

The twist-off/twist-on filter is easy to install and designed so the water automatically shuts off when the filter is removed, eliminating the need for a separate shut-off valve. Depending on local water quality and usage volumes, filter replacement is recommended every 6-12 months.



Easy removal and fitting of water filter



F-701R Replacement Filter

- Super fine 5 micron filter for even cleaner water
- Quick-Connect Push-In Fittings guarantees a quick, easy installation
- Valve-in-Head Design automatically shuts off water flow when filter cartridge is removed, eliminating need for separate shut-off valve
- Low Pressure Drop Filter design assures consistently flawless performance
- Reduces chlorine, lead, turbidity, particulates & other unpleasant tastes and odours
- NSF Standard 42
- 6-12 month expected filter life, depending on water quality and use
- Two filter cartridges per pack

The energy-efficient way to make a cuppa & more!

A poorly managed kettle can waste an incredible amount of energy...heating...re-heating...re-heating again. Each time heating more water than you actually need.

With a DualTap, water is heated by the NeoTank[®], featuring a die-molded, polystyrene thermal barrier that surrounds the tank to minimize heat loss. Energy is not wasted heating water you don't use.

In fact, the NeoTank[®] uses less energy than a 40W light bulb in stand-by mode and 20% less energy than a kettle when using 10 cups of near-boiling water per day.





Service & Installation

InSinkErator have a network of service agents and plumbers to install your new tap.

To find more call 0800 200 510 or visit our website www.insinkerator.co.nz

[insinkerator.co.nz](http://www.insinkerator.co.nz)

in **sink** erator®