

# MODEL 56

## FOOD WASTE DISPOSER

This mid-range model is perfect for regular use in smaller households.

### FEATURES



**SoundSeal™**  
Quieter than standard models



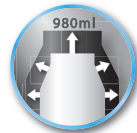
**0.55HP Dura-Drive™**  
Heavy Duty Induction Motor



**1 Stage Stainless Grinding System**



**QuickLock™**  
Sink Mount for easy installation



**Grind Chamber Capacity (980ml)**  
Stainless Steel Grinding Elements



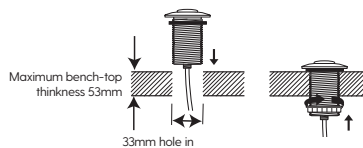
**3 Year Warranty**



**Built-in Air Switch**  
(33mm hole for button)



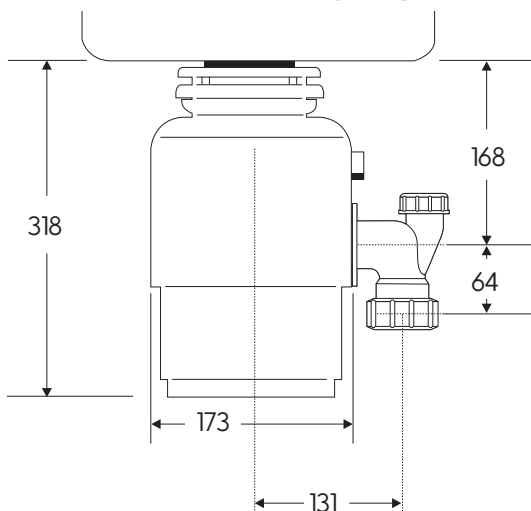
**Made in the USA**



### SPECIFICATIONS

Type of Feed	Continuous	Grind Chamber Capacity	980 ml
On/Off	Control Wall Switch or Built-In Air Switch	Motor Protection	Manual Reset Overload
Power Supply	Single Phase	Average Water Usage	Approximately 4.0 L per Person per Day
Time Rating	Intermittent	Average Electrical Usage	3-4 KWH per Annum
Lubrication	Permanently Lubricated Upper & Lower Bearings	Drain Connection	1-1/2" (3.81 cm)
Grind Technology	1-Stage Grind Technology	Dishwasher Connection	Yes
Sound Technology	Quiet Sink Baffle Sound Insulation		
Volts/Hz	HP	RPM	
220-240V, 50 Hz	.55	1490	

### DIMENSIONS (MM)



[insinkerator.co.nz](http://insinkerator.co.nz)

For more information contact Parex Industries Limited on Tel: 0800 200 510 or email: [info.parex@emerson.com](mailto:info.parex@emerson.com)

InSinkErator reserves the right to change product specifications without prior notice. The disposer described in this leaflet is for household use; usage in commercial situations is not covered by warranty.

**in sink erator®**