

SS-150

FOOD SERVICE WASTE DISPOSER

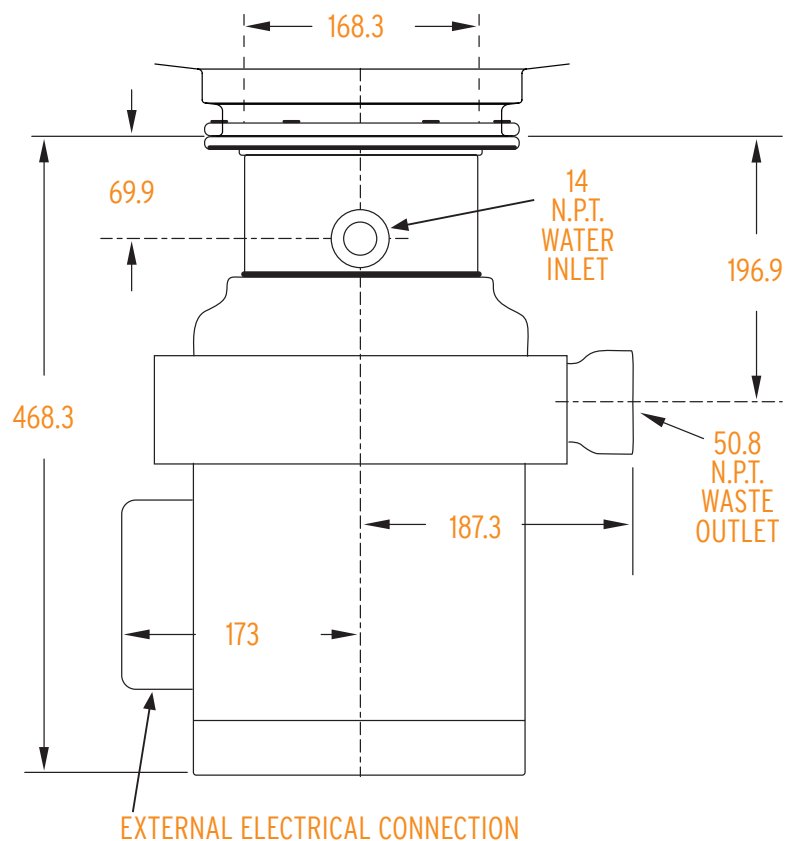


InSinkErator provides the hospitality industry with a range of Food Service disposers to suit the smallest to largest kitchen. Whether you are catering for 50 to 2500 people, there is a solution for your kitchen. InSinkErator's superior construction, faster operation and shorter grinding time will reduce stress, noise and waste scraps in your workspace.

Features

- Suitable for large commercial operations. Approximately 300 people per meal.
- 1.5HP, high torque induction motor
- Stainless steel shredder ring for increased grinding efficiency.
- Stainless steel rotating shredder.
- Cast stainless 360° swivel lugs, stainless steel grind chamber.
- Cast nickel chrome cutting elements
- Extra-large stainless steel grind chamber for extra durability.
- Stainless steel construction
- Automatic reversing action.
- Standard Quiet Sound Reduction System.
- 1 year warranty

Dimensions (mm)



Specifications

Type of Feed	Continuous
On/Off	Wall Switch
Power Supply	Single or Three Phase
Horsepower	1.50
Volts (V)	240V or 400V
Hertz (Hz)	50
RPM	1425
Lubrication	Self Lubricating
Unit Finish	Stainless Steel and chrome
Overall Height	468mm
Shipping Weight	29kg (approx)
Collar	Sold Separately

InSinkErator reserves the right to change product specifications without prior notice.

For more information contact Parex Industries Limited
on Tel: 0800 200 510 or email info@parex.co.nz

www.insinkerator.co.nz

in sink erator[®]