

LC-50H

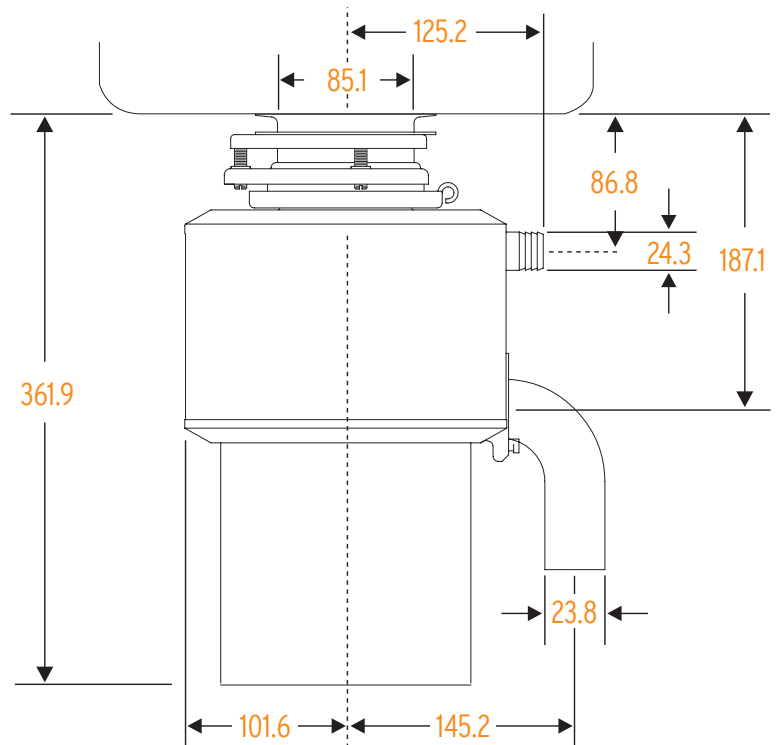
FOOD SERVICE WASTE DISPOSER

InSinkEerator provides the hospitality industry with a range of Food Service disposers to suit the smallest to largest kitchen. Whether you are catering for 50 to 2500 people, there is a solution for your kitchen. InSinkEerator's superior construction, faster operation and shorter grinding time will reduce stress, noise and waste scraps in your workspace.

Features

- Suitable for small commercial operations. Approximately 100 people per meal.
- 0.5HP, high torque induction motor.
- Quick-Lock® mounting assembly for faster, easier installation.
- Stainless steel shredder ring for increased grinding efficiency.
- Stainless steel rotating shredder.
- Cast stainless 360° swivel lugs, stainless steel grind chamber & elements.
- Extra-large stainless steel grind chamber for extra durability.
- Stainless steel construction.
- Automatic reversing action.
- Standard Quiet Sound Reduction System.
- 1 year warranty.

Dimensions (mm)



NOTE: Plumb 38.1 mm waste line to prevent standing water in disposer motor housing.



Specifications

| | |
|-----------------|----------------------------|
| Type of Feed | Continuous |
| On/Off | Wall Switch |
| Power Supply | Single Phase |
| Horsepower | 0.50 |
| Volts (V) | 240V |
| Hertz (Hz) | 50 |
| RPM | 1425 |
| Lubrication | Self Lubricating |
| Unit Finish | Stainless Steel and chrome |
| Overall Height | 362mm |
| Shipping Weight | 15kg (approx) |

InSinkEerator reserves the right to change product specifications without prior notice.

For more information contact Parex Industries Limited
on Tel: 0800 200 510 or email info@parex.co.nz

www.insinkerator.co.nz

